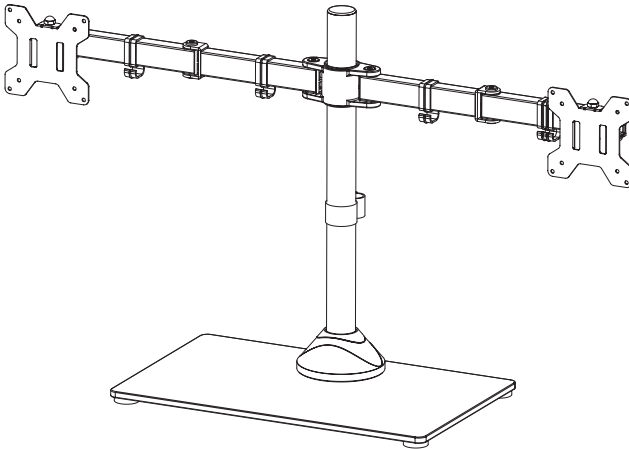




Dual Monitor Desk Stand

Instruction Manual



SKU: STAND-V002FG



Scan the QR code with your mobile device or follow the link for helpful videos and specifications related to this product.

<https://vivo-us.com/products/stand-v002fg>

GET IN TOUCH | Monday-Friday from 7:00am-7:00pm CST



help@vivo-us.com



www.vivo-us.com
Chat live with an agent!



309-278-5303

WARNING!

If you do not understand these directions, or if you have any doubts about the safety of the installation, please call a qualified technician. Check carefully to make sure there are no missing or defective parts. Improper installation may cause damage or serious injury. Do not use this product for any purpose that is not explicitly specified in this manual. Do not exceed weight capacity. We cannot be liable for damage or injury caused by improper mounting, incorrect assembly or inappropriate use.

TIPOVER WARNING

SERIOUS OR FATAL CRUSHING INJURIES CAN OCCUR FROM TIPOVER. TO HELP PREVENT TIPOVER:

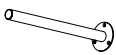
- NEVER ALLOW CHILDREN TO CLIMB, STAND, HANG, OR PLAY ON ANY PART OF MONITOR OR STAND.
- USE TIPOVER RESTRAINT OR ANCHOR STAND TO WALL

USE OF TIPOVER RESTRAINTS MAY ONLY REDUCE, BUT NOT ELIMINATE RISK OF TIPOVER.

WARNING: CHOKING HAZARD

SMALL PARTS - NOT FOR CHILDREN UNDER 3 YEARS. ADULT SUPERVISION IS REQUIRED.

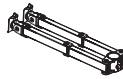
PACKAGE CONTENTS



a (x1)
Pole



b (x1)
Weighted Base



c (x1)
Swivel Arm



d (x2)
VESA Plate



e (x3)
M6x10



f (x2)
Nut



g (x3)
Connecting Bolt



h (x3)
M8 Washer



i1 (x1)
Wire Clip



i2 (x4)
Wire Clip



j (x1)
Allen Key



k (x8)
M4x12



l (x8)
M4x30



m (x8)
M4 Spacer



n (x1)
Decorative Cover



o (x4)
Rubber Feet



p (x1)
Soft Pad

NOTE: SOME HARDWARE INCLUDED MAY NOT BE USED

TOOLS NEEDED



DO NOT EXCEED WEIGHT CAPACITY.

Failure to do so may result in serious injury.

22 lbs
(10 kg)

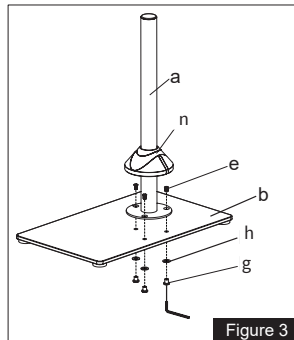
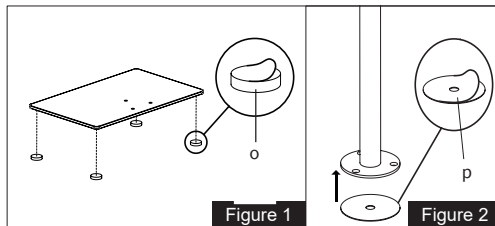
PER ARM

ASSEMBLY STEPS

STEP 1

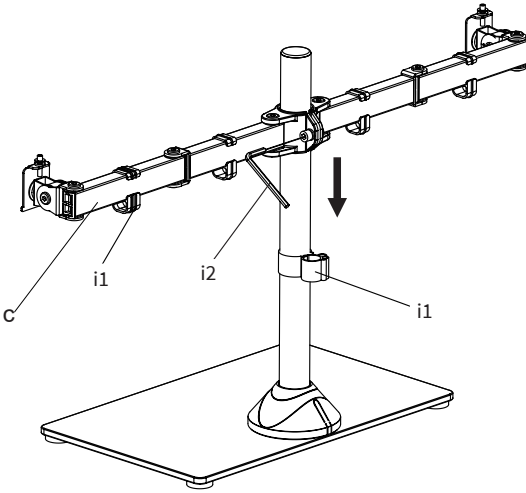
Weighted Base Installation

Attach Rubber Feet (**o**) to the underside of the Glass Base (**b**). See Figure 1. Attach Soft Pad (**p**) to the Pole (**a**). See Figure 2. Use a screwdriver to poke holes for screws through the pad. Install Pole to Glass Base using M6x10 Bolts (**e**), Connecting Bolts (**g**) and M8 Washers (**h**), and tighten with medium Allen Key (**j**) and screwdriver. Slide Decorative Cover (**n**) over the Pole. See Figure 3.



STEP 2

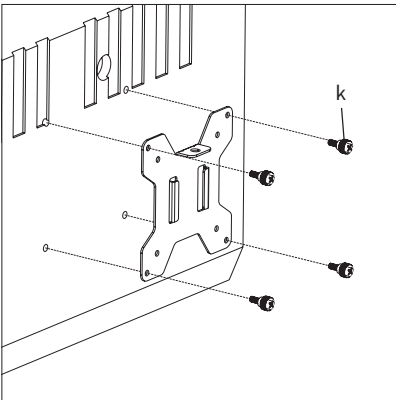
Install Swivel Arm (c) to the Pole (a). Fasten the bolt with supplied Allen Key (j). Attach the Wire Clips (i1, i2) to the Pole (a) and Swivel Arm (c).



STEP 3

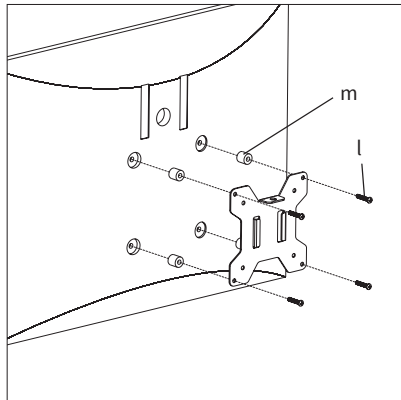
OPTION A: Flat Back Monitor

Attach VESA Plate (d) using thumb bolts (k).



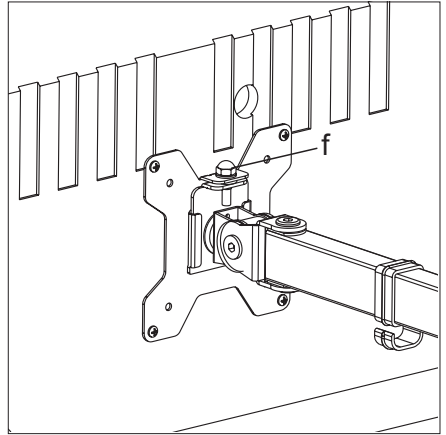
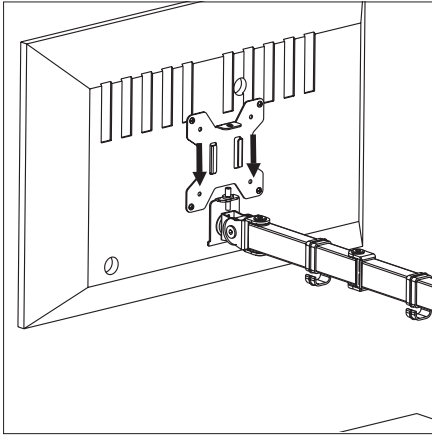
OPTION B: Curved Back Monitor

Attach VESA Plate (d) using bolts (l) and spacers (m).



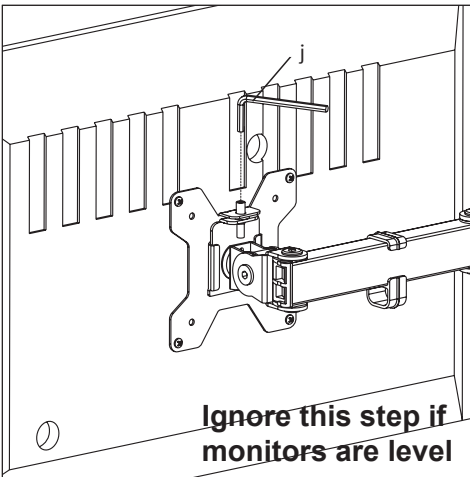
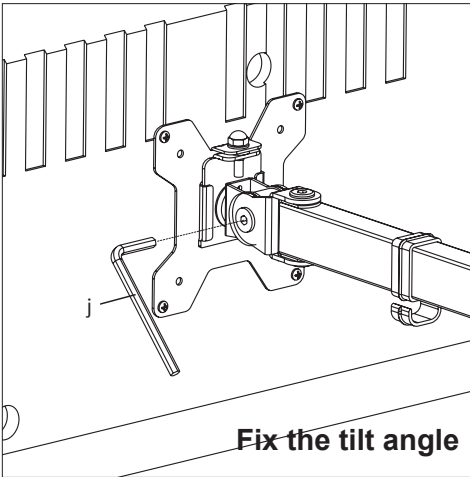
STEP 4

Slide the monitors with attached VESA Plates (**d**) onto the heads of Swivel Arm (**c**) as shown in the diagram. Secure the VESA Plates (**d**) using Security Nuts (**f**). Make sure the Security Nuts are installed before you rotate the monitors.



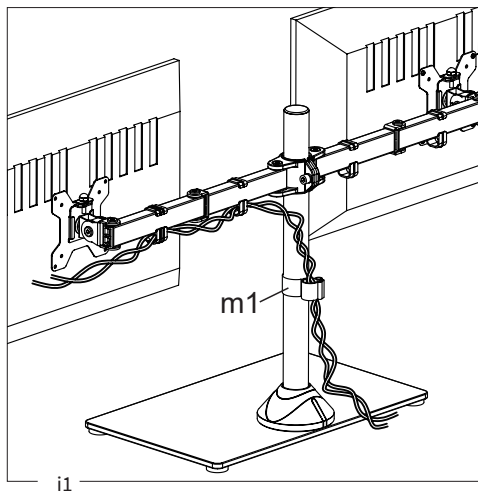
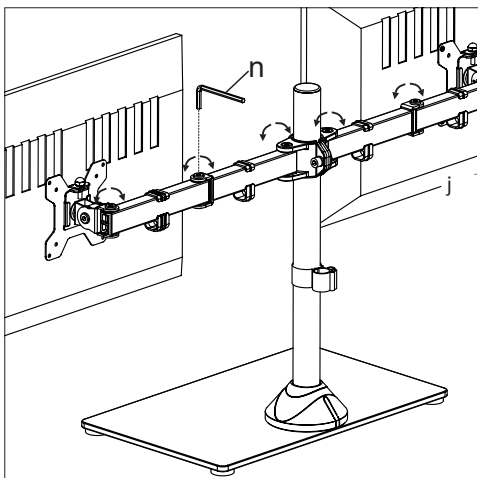
STEP 5

Tighten the bolt with the supplied Allen Key (**j**) to fix the tilt angle. If one monitor is lower, remove the Security Nut (**f**) and turn the bolt counter-clockwise with small Allen Key to raise the monitor. Install the Security Nut after the adjustment.



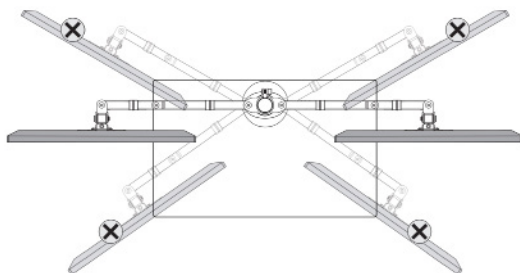
STEP 6

Use the medium Allen Key (**j**) to make the necessary adjustments. Manage the wires and store the Allen Keys (**j**) in Wire Clip (**i1**) for future use.



STEP 7

CAUTION: To prevent tipping, please be careful not to extend the arms too far forward or backward.





Open **Monday - Friday 7:00am - 7:00pm** CST,
our dedicated support team can offer immediate assistance with rapid response times. If any parts are received damaged or defective, please contact us. We are happy to replace parts to ensure you have a fully functioning product.



309-278-5303

AVG. RESOLUTION TIME (*within office hrs*): **5M 4S**



www.vivo-us.com
Chat live with an agent!

AVG. RESOLUTION TIME (*within office hrs*): **< 15 M**



help@vivo-us.com

AVG. RESPONSE TIME (*within office hrs*): **1HR 8M**

- 23% within < 15m
- 38% within < 30m
- 61% within < 1hr
- 83% within < 2hr
- 92% within < 3hr